

2023
Legacy



The Subaru Legacy. **Love, for all the right reasons.**





Arrive like you've never imagined.

Meet the 2023 Subaru Legacy.

It's that feeling you get when the next level is within reach. When the latest safety technologies combine with renowned Subaru reliability to give you confidence. A sense of connection is made possible by advanced technology, and you experience the warm invitation of premium materials and abundant space. You're here. Feel the love, for all the right reasons.



Legacy Touring XT in Cosmic Blue Pearl.

1 EyeSight is a driver assist technology, which may not operate optimally under all driving conditions. The driver is always responsible for safe and attentive driving. System effectiveness depends on many factors such as vehicle maintenance, weather and road conditions. See Owner's Manual for complete details on system operation and limitations. 2 Availability varies by trim level. See your retailer for details. 3 The DriverFocus Distraction Mitigation System is a driver recognition technology designed to alert drivers if their attention to the road wavers or if the driver's face appears to turn away. The driver is always responsible for safe and attentive driving. System effectiveness may be affected by articles of clothing worn on the head or face. See Owner's Manual for complete details on system operation and limitations. 4 Based on Experian Automotive vehicles in operation vs. total new registrations for MY2012-2021 as of December 2021.

Safest

Innovations in the Legacy look out for you and help keep you focused on the road, including standard EyeSight® Driver Assist Technology¹ and the available DriverFocus® Distraction Mitigation System.^{2,3} Peace of mind is at the core of the Legacy, thanks to the strong build of its Subaru Global Platform.

Most Reliable

This has always been a sedan designed to last: 95% of Subaru Legacy vehicles sold in the last 10 years are still on the road today.⁴ One of the many reasons is Subaru core technology, featuring Subaru Symmetrical All-Wheel Drive, standard on every Legacy.

Most Advanced

An available 11.6-inch touchscreen makes connecting easy and intuitive.² Through SUBARU STARLINK® Multimedia, you can enjoy your music and apps almost anywhere you go with available wireless Apple CarPlay® and Android Auto™ integration.²

Most Comfortable and Spacious

Abundance is what defines comfort and space in our most refined sedan ever. It means soft-touch materials throughout the spacious cabin and generous legroom for everyone. And Legacy Touring XT indulges you even more with upgrades, including genuine Nappa Leather.



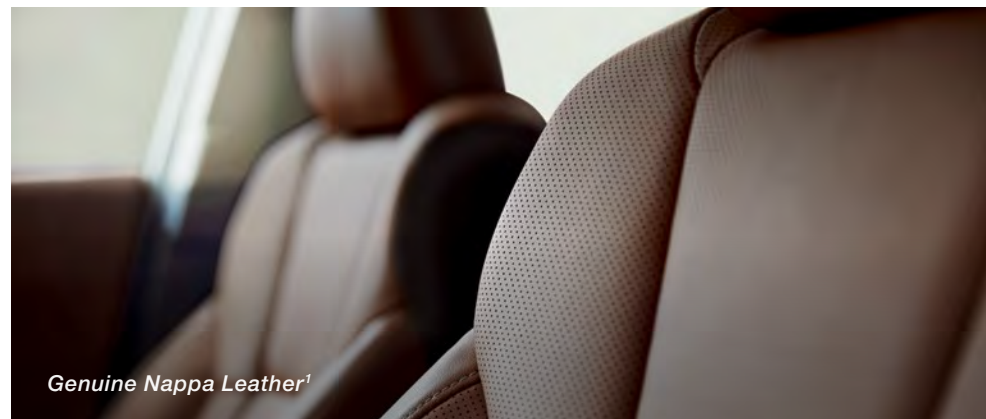
We've been
expecting you.

With next-level comfort and generous space, the Legacy is designed to welcome you every time. Even before you get in, available Remote Engine Start with Climate Control lets you set your ideal temperature so the interior is ready for you the moment you enter.^{1,2} The experience continues with a roomy cabin that includes 39.5 inches of rear legroom—more than the Camry, Sonata, K5 and Altima³—plus soft-touch materials, available heated front and rear seats,¹ and an available 360-degree heated steering wheel.¹ Thanks to laminated glass and a body structure that optimizes the placement of sound insulation, this is the quietest Legacy interior ever.

Legacy Limited with Warm Ivory Leather and optional equipment.



Soft-touch Materials



Genuine Nappa Leather¹



Heated Rear Seats and Dual USB Charge Ports¹

Touring XT refines the feeling further.

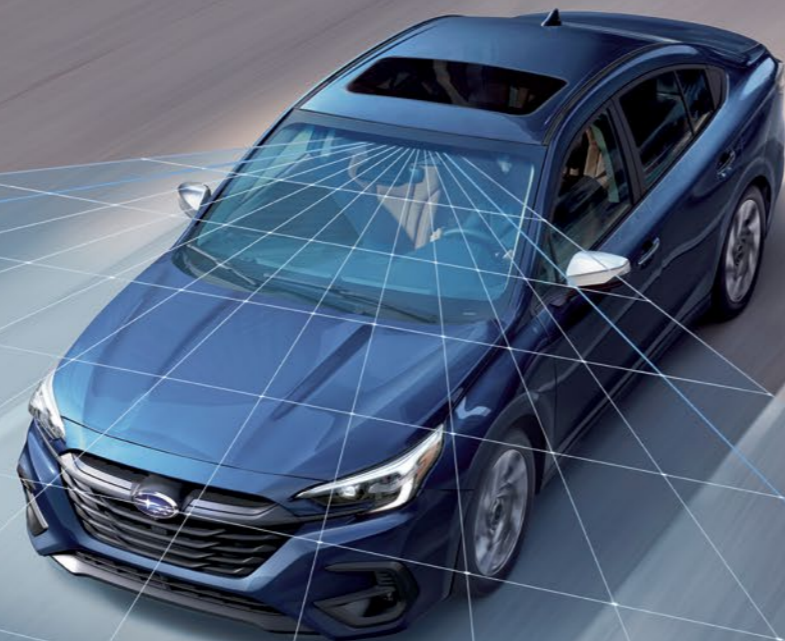
Only by selecting the Touring XT trim can you elevate your Legacy with a genuine Nappa Leather interior. Heated and ventilated seats and a 360-degree heated steering wheel increase comfort in the front row, while features like automatic power-folding side mirrors heighten convenience even further. It's the Legacy in its most inviting form.

¹ Availability varies by trim level. See your retailer for details. ² Requires Keyless Access with Push-Button Start and subscription to STARLINK Safety and Security Plus services. 6-month free trial included. See your retailer for details. ³ Competitor information from manufacturer websites for 2022 model-year vehicles and current at time of printing. Competitors' maximum specification figures used for comparison.



An extra set of eyes every time you drive.

The Legacy features the latest Subaru EyeSight Driver Assist Technology,¹ now with Automatic Emergency Steering.² Equipped with a comprehensive suite of innovative safety features, EyeSight looks ahead, alerts you to potential dangers and can even intervene to help you avoid a collision.



Legacy Touring XT in Cosmic Blue Pearl.



Pre-Collision Braking

Can help slow and bring your Legacy to a full stop if necessary.



Lane Departure and Sway Warning

Can alert you if you drift to the edge of your lane and begin to cross into another.



Advanced Adaptive Cruise Control with Lane Centering

Automatically helps keep you centered in your lane, at a safe distance behind the car in front of you—even in traffic and around curves.



Pre-Collision Throttle Management

Can reduce engine power to help give you more time to react and to help minimize possible impact force in case of a collision.

1 EyeSight is a driver assist technology, which may not operate optimally under all driving conditions. The driver is always responsible for safe and attentive driving. System effectiveness depends on many factors such as vehicle maintenance, weather and road conditions. See Owner's Manual for complete details on system operations and limitations. 2 Automatic Emergency Steering is a system designed to assist the driver. It is not a substitute for safe and attentive driving. Automatic Emergency Steering works in conjunction with and after Pre-Collision Braking has been activated by providing steering support at speeds lower than 50 mph to try and help avoid a collision. See Owner's Manual for complete details, including important system limitations. Availability varies by trim level.



DriverFocus[®] Distraction Mitigation System

Every day in the U.S., more than 1,000 people are injured in crashes reported to have involved a distracted driver.¹ As an industry leader in safety, Subaru developed the DriverFocus Distraction Mitigation System,^{2,3} one of the first technologies of its kind. Engineered for both new and experienced drivers, it works together with EyeSight to help detect distracted or drowsy driving. If the driver's attention strays from the road for too long, DriverFocus can deliver visual and auditory alerts to bring attention back to the road.

1 Centers for Disease Control and Prevention, citing National Center for Statistics and Analysis. Distracted Driving: 2015, in Traffic Safety Research Notes. DOT HS 812 381. March 2017, National Highway Traffic Safety Administration: Washington, D.C. 2 The DriverFocus Distraction Mitigation System is a driver recognition technology designed to alert drivers if their attention to the road wavers or if the driver's face appears to turn away. The driver is always responsible for safe and attentive driving. System effectiveness may be affected by articles of clothing worn on the head or face. See Owner's Manual for complete details on system operation and limitations. 3 Availability varies by trim level. See your retailer for details.

In the stop-and-go,
confidence in all directions.



Legacy Touring XT in Crimson Red Pearl.

Enhanced Awareness

No matter where you go, there are things you might not see coming. We prioritize giving you a clear view of what's ahead and around corners, with an available 180-Degree Front View Monitor¹ and standard LED Steering Responsive Headlights with High Beam Assist. The Legacy is also equipped with innovations that help keep you aware whether you're moving forward, reversing or changing lanes, so you can enjoy peace of mind on every drive.



Blind-Spot Detection

Using radar sensors, Blind-Spot Detection^{1,2} warns you with a visual indicator on your side mirror if the system detects a vehicle in your blind spot. Another feature of this system, Lane Change Assist, alerts you with a flashing indicator on your side mirror if it senses a vehicle approaching at a higher speed in a neighboring lane.



Rear Cross-Traffic Alert

Rear Cross-Traffic Alert^{1,2} uses radar sensors to help warn you of traffic approaching from the side as you are backing up, utilizing a flashing visual indicator on your side mirror and Rear-Vision Camera display as well as an audible warning.



Reverse Automatic Braking

Reverse Automatic Braking^{1,3} can detect objects directly behind your vehicle when backing up at a low speed and can help bring the Legacy to a stop should an object be detected within its range and the brakes have yet to be applied. There's also the Rear-Vision Camera to help you keep an eye out.



SUBARU STARLINK Safety and Security

The Legacy features the latest STARLINK Safety and Security^{1,4} system, which can alert a first responder in an emergency, help police locate your vehicle if it's stolen and more. To get you started, new Legacy drivers enjoy a free three-year STARLINK® Safety Plus trial, which includes Advanced Automatic Collision Notification, Enhanced Roadside Assistance, SOS Emergency Assistance and more.

¹ Availability varies by trim level. See your retailer for details. ² Blind-Spot Detection, Lane Change Assist and Rear Cross-Traffic Alert are systems designed to assist the driver by monitoring the rear and side areas of the vehicle during a lane change or reversing and are not a substitute for safe and attentive driving. ³ The Reverse Automatic Braking System is not a substitute for safe and attentive driving. System effectiveness depends on many factors, such as vehicle maintenance, weather and road conditions. Always exercise caution and use vehicle mirrors and the Rear-Vision Camera when backing up. See Owner's Manual for complete details on system operation and limitations. ⁴ Activation with subscription required. Includes a 3-year trial subscription to Safety Plus services and a 6-month trial subscription to Safety and Security Plus services. The Concierge plan can be purchased annually or monthly. A credit card on file will be required for specific packages and for renewal purposes. Not available in all states. See your retailer for details.

Let your passion
take you far.

Reliability for miles—and more.

Starting from its core, the Legacy is built for longevity. Subaru Symmetrical All-Wheel Drive is the result of decades of Subaru expertise in full-time AWD engineering, and the Subaru Global Platform is simply our strongest foundation ever—incredibly durable and built to last. Plus, the Legacy has a lower center of gravity, thanks to the SUBARU BOXER® engine's low placement in the chassis—this translates to more confidence on the road.



260HP

Direct-Injection Turbocharged SUBARU BOXER Engine

Up to 31 MPG hwy¹

182HP

Direct-Injection SUBARU BOXER Engine

Up to 35 MPG hwy¹

The 2023 Legacy Sport.

Style is one thing. Character is what's beneath the sleek exterior of the Legacy Sport. That's where you'll find its turbocharged SUBARU BOXER engine producing 260 horsepower—and a sport-tuned suspension handling the road with noticeable ease. Inside, you have the comfort of two-tone black and gray seats with red stitching, while SI-DRIVE puts you in control of efficiency and performance.



¹ EPA-estimated highway fuel economy for 2023 Legacy 2.5L trims at 35 highway mpg and 2023 Legacy Sport and Touring XT trims at 31 highway mpg. Actual mileage may vary.

Legacy Sport in Cosmic Blue Pearl.

Connect at any moment. Accommodate for any mood.

Accessing your favorite media whenever you want is essential. Go big on your ability to connect with an available 11.6-inch touchscreen¹—bigger than what's offered on sedans like the Accord, Camry, Sonata and others.² SUBARU STARLINK Multimedia with available wireless Apple CarPlay[®] and Android Auto[™] integration¹ makes your apps easy and intuitive to use, while your playlists shine with renewed fidelity, as the available Harman Kardon[®] premium sound system uses 576 equivalent watts of power to deliver pristine audio through 12 speakers.¹ Passengers can easily connect to their media, too, with available built-in Wi-Fi capability^{1,3} and four USB ports¹ that ensure charged devices all around.



Customization that remembers you.

From the moment you sit behind the wheel, available DriverFocus recognizes you and automatically adjusts the Legacy to your preferences.^{1,4} This includes driver seat settings, climate controls, side mirrors and even your choices for which vehicle system information appears on the screen.

¹ Availability varies by trim level. See your retailer for details. ² Competitor information from manufacturer websites for 2022 model-year vehicles and current at time of printing. Competitors' maximum specification figures used for comparison. ³ Internet access is purchased separately through AT&T with monthly, per gigabyte, and unlimited data options available. Existing AT&T customers have the option to add a line to their AT&T Mobile Share plan. ⁴ The DriverFocus Distraction Mitigation System is a driver recognition technology designed to alert drivers if their attention to the road wavers or if the driver's face appears to turn away. The driver is always responsible for safe and attentive driving. System effectiveness may be affected by articles of clothing worn on the head or face. See Owner's Manual for complete details on system operation and limitations.



Subaru. Most Trusted Brand eight years running, according to Kelly Blue Book's KBB.com.¹⁰



Subaru is ranked #1 in safety in the automotive industry.¹¹



According to Forbes, Subaru is among the Top 10 Brands consumers love.¹²



95% of Subaru Legacy vehicles sold in the last 10 years are still on the road today.¹³



The Subaru Legacy has 39.5 inches of rear legroom—more than the Camry, K5, Altima and Sonata.¹⁴

1 EyeSight is a driver assist technology, which may not operate optimally under all driving conditions. The driver is always responsible for safe and attentive driving. System effectiveness depends on many factors such as vehicle maintenance, weather and road conditions. The Pre-Collision Braking System is designed to provide automatic braking that either prevents a collision or reduces the severity of a frontal impact. Pre-Collision Throttle Management is designed to reduce acceleration and minimize the severity of certain frontal impacts. Advanced Adaptive Cruise Control and Brake Light Recognition are designed to assist the driver and are not substitutes for safe and attentive driving. Lane centering function operates only when used in conjunction with Advanced Adaptive Cruise Control. The Lane Departure and Sway Warning operates only when the lane markings are visible and its effectiveness depends on many factors. See Owner's Manual for complete details on system operation and limitations. 2 Activation and required monthly subscription sold separately. Includes 4-month trial subscription. See your retailer for details. 3 Activation and subscription required. Internet access is purchased separately through AT&T with monthly, per gigabyte, and unlimited data options available. Existing AT&T customers have the option to add a line to their AT&T Mobile Share plan. See your retailer for details. 4 Activation with subscription required. Includes a 3-year trial subscription to STARLINK Safety Plus services and a 6-month trial subscription to STARLINK Safety and Security Plus services. The Concierge plan can be purchased annually or monthly. A credit card on file will be required for specific packages and for renewal purposes. Not available in all states. See your retailer for details. 5 Requires Keyless Access with Push-Button Start. See your retailer for details. 6 Blind-Spot Detection, Lane Change Assist and Rear Cross-Traffic Alert are systems designed to assist the driver by monitoring the rear and side areas of the vehicle during a lane change or reversing and are not a substitute for safe and attentive driving. 7 The Reverse Automatic Braking System is designed to assist the driver by detecting objects, to help avoid a possible collision, when the vehicle is moving in a low speed reverse direction. The system will provide automatic vehicle braking if an obstacle is detected within its range. This system is not a substitute for safe and attentive driving. System effectiveness depends on many factors, such as vehicle maintenance, weather and road conditions. Always exercise caution and use vehicle mirrors and the Rear-Vision Camera when backing up. See Owner's Manual for complete details on system operation and limitations. 8 Activation and required subscription sold separately. Includes 3-year trial subscription. See your retailer for details. 9 The DriverFocus Distraction Mitigation System is a driver recognition technology designed to alert drivers if their attention to the road wavers or if the driver's face appears to turn away. The driver is always responsible for safe and attentive driving. System effectiveness may be affected by articles of clothing worn on the head or face. See Owner's Manual for complete details on system operation and limitations. 10 2015-2022 Kelley Blue Book Brand Image Awards are based on the Brand Watch™ study from Kelley Blue Book. Award calculated among non-luxury shoppers. For more information, visit www.kbb.com. Kelley Blue Book is a registered trademark of Kelley Blue Book Co., Inc. 11 2021 American Customer Satisfaction Index Survey of customers rating the performance of their own automobiles. ACSI® is a registered trademark of ACSI LLC. 12 Based on Forbes 2022 Halo 100, powered by HundredX. 13 Based on Experian Automotive vehicles in operation vs. total new registrations for MY2012-2021 as of December 2021. 14 Competitor information from manufacturer websites for 2022 model-year vehicles and current at time of printing. Competitors' maximum specification figures used for comparison.

2023 Legacy | Trim Levels



Legacy

- 182-hp 2.5-liter 4-cylinder SUBARU BOXER engine with direct injection and auto start-stop technology
- EyeSight Driver Assist Technology¹
- Subaru Symmetrical All-Wheel Drive with Active Torque Vectoring
- Lineartronic® CVT (Continuously Variable Transmission) with 8-speed manual-mode paddle shifters
- Auto-on/off LED Steering Responsive Headlights with High Beam Assist
- 17-inch aluminum-alloy wheels
- Cloth upholstery
- 6-way manually adjustable driver seat and 4-way manually adjustable front-passenger seat

- Driver and front-passenger auto-up/down power windows
- SUBARU STARLINK Dual 7.0-inch Multimedia with Apple CarPlay® and Android Auto™ integration, SiriusXM®² including 4-month Platinum Plan and SiriusXM Travel Link®² trial, USB-A input port, 4 speakers, AM/FM stereo, Bluetooth® audio streaming, hands-free phone connectivity, and auxiliary input jack
- Automatic climate control
- Glove box 12-volt power outlet
- Welcome lighting
- Rear-Vision Camera

Legacy Premium

Includes Legacy key features and adds:

- Body-color side mirrors with integrated turn signals
- All-Weather Package: Heated exterior mirrors, 3-mode heated front seats, windshield wiper de-icer
- 10-way power-adjustable driver seat with lumbar support
- Leather-wrapped steering wheel and shifter handle
- SUBARU STARLINK 11.6-inch Multimedia Plus with wireless Apple CarPlay® and Android Auto™ integration, SiriusXM®² including 4-month Platinum Plan and SiriusXM Travel Link®² trial, USB-A and USB-C input ports, 6 speakers, AM/FM stereo, Bluetooth® audio streaming and hands-free phone connectivity

- 4G LTE Wi-Fi capability³
- Single USB-A and USB-C rear-seat charge ports
- Center console 12-volt power outlet
- Dual-zone automatic climate control system with air filtration
- STARLINK Safety and Security enabled⁴: Includes features and services such as Advanced Automatic Collision Notification, Remote Engine Start with Climate Control⁵ and Concierge Services



Legacy Limited

Includes Legacy Premium key features and adds:

- 18-inch aluminum-alloy wheels
- LED fog lights
- Automatic tilt-down passenger side mirror
- Keyless Access with Push-Button Start
- Leather-trimmed upholstery
- 12-way power-adjustable driver seat with 4-way lumbar support
- 8-way power-adjustable front-passenger seat
- Adjustable driver seat thigh support

- Two-position memory driver seat and side mirrors
- Heated outboard rear seats
- Harman Kardon® 576-watt-equivalent premium audio system with 12 speakers
- Blind-Spot Detection with Lane Change Assist and Rear Cross-Traffic Alert⁶
- Reverse Automatic Braking⁷
- Auto-dimming rearview compass mirror with HomeLink®
- Auto-up/down front and rear windows



Legacy Sport

Includes Legacy Premium key features and adds:

- 260-hp 2.4-liter 4-cylinder direct-injection turbocharged SUBARU BOXER engine and auto start-stop technology
- Lineartronic CVT (Continuously Variable Transmission) High-Torque with 8-speed manual-mode paddle shifters
- Dual exhaust with stainless steel tips
- Sport-tuned suspension
- Sport front grille and Sport badges
- Magnetite Gray Metallic finish trunk spoiler and exterior mirrors with integrated turn signals
- 18-inch aluminum-alloy wheels in gray finish
- LED fog lights
- Power moonroof
- Keyless Access with Push-Button Start
- Two-Tone Black and Gray Cloth upholstery with red contrast stitching

- Gunmetal metallic interior accents
- 360-degree heated steering wheel
- SI-DRIVE Engine Performance Management
- Aluminum-alloy pedal covers
- SUBARU STARLINK 11.6-inch Multimedia Navigation with 3 years of map updates, SiriusXM®² including 4-month Platinum Plan, SiriusXM Traffic®⁸ and SiriusXM Travel Link®⁸ trials
- Blind-Spot Detection with Lane Change Assist and Rear Cross-Traffic Alert⁶
- Reverse Automatic Braking⁷
- Auto-dimming rearview compass mirror with HomeLink®
- Auto-up/down front and rear windows
- DriverFocus Distraction Mitigation System⁹



Legacy Touring XT

Includes Legacy Limited key features and adds:

- 260-hp 2.4-liter 4-cylinder direct-injection turbocharged SUBARU BOXER engine and auto start-stop technology
- Lineartronic CVT (Continuously Variable Transmission) High-Torque with 8-speed manual-mode paddle shifters
- Dual exhaust with stainless steel tips
- Automatic power-folding side mirrors with satin chrome
- Body-color door handles with chrome inserts
- 180-Degree Front View Monitor
- Power moonroof

- Nappa leather-trimmed upholstery
- High-grade leather-wrapped 360-degree heated steering wheel
- 3-mode ventilated front seats
- SUBARU STARLINK 11.6-inch Multimedia Navigation with 3 years of map updates, SiriusXM®² including 4-month Platinum Plan, SiriusXM Traffic®⁸ and SiriusXM Travel Link®⁸ trials, and CD player
- EyeSight Driver Assist Technology¹ with wide-angle mono camera
- DriverFocus Distraction Mitigation System⁹



2023 Legacy | Specifications

Engine and Drivetrain

		Legacy Legacy Premium Legacy Limited	Legacy Sport Legacy Touring XT
Engine Power Torque	2.5-liter DOHC direct-injection aluminum-alloy 16-valve 4-cylinder horizontally opposed SUBARU BOXER engine with Dual Active Valve Control System (DAVCS). 182 hp @ 5,800 rpm 176 lb-ft @ 4,400 rpm	●	—
	2.4-liter DOHC Direct-Injection Turbocharged (DIT), intercooled, aluminum-alloy 16-valve 4-cylinder horizontally opposed SUBARU BOXER engine with Dual Active Valve Control System (DAVCS). 260 hp @ 5,600 rpm 277 lb-ft @ 2,000–4,800 rpm	—	●
SI-DRIVE Engine Performance Management System	Subaru Intelligent Drive (SI-DRIVE) enables two distinctively different modes of vehicle performance characteristics by regulating the engine control unit (ECU) and the transmission control unit (TCU) as well as fine-tuning the electronically controlled throttle. Legacy, Legacy Premium, Legacy Limited and Legacy Touring XT: N/A Legacy Sport: Standard	—	●
Auto Start-Stop System	Automatically turns off and restarts the vehicle's engine when stopped, reducing vehicle idle time, emissions and fuel consumption.	●	●
Transmission	Lineartronic CVT (Continuously Variable Transmission) with Adaptive Control and 8-speed manual-mode with paddle shifters.	●	—
	Lineartronic CVT (Continuously Variable Transmission) High-Torque with Adaptive Control and 8-speed manual-mode with paddle shifters.	—	●
CA Emissions		LEV III/SULEV 30	LEV III/ULEV50

Traction and Stability

All-Wheel Drive type	Subaru Symmetrical All-Wheel Drive	●	●
Vehicle Dynamics Control (VDC)	VDC electronic stability control utilizes sensors that constantly monitor wheel speeds, steering angle, brake pressure, vehicle yaw rate and lateral g-forces. If VDC detects a difference between the driver's intended path and the one the vehicle is actually taking, VDC applies braking power and/or reduces engine torque to help correct vehicle path.	●	●
Active Torque Vectoring	Active Torque Vectoring works in tandem with VDC, applying braking power to the inside wheels, resulting in better handling, sharper turn-in, more neutral steering and higher cornering limits when turning.	●	●
Traction Control System (TCS)	VDC also incorporates an all-wheel, all-speed Traction Control System, which senses a loss of traction and applies braking force to the slipping wheel or wheels as necessary to maintain vehicle motion.	●	●
Auto Vehicle Hold (AVH)	AVH helps to reduce driver fatigue by holding the vehicle in place when the vehicle is stopped, after the brake pedal has been released. Utilizing VDC and the Electronic Parking Brake, AVH can hold the vehicle stationary on level, decline or incline surfaces.	●	●

● Standard ○ Optional — Not equipped

2023 Legacy | Specifications

Fuel

		Legacy Legacy Premium Legacy Limited	Legacy Sport Legacy Touring XT
Fuel Economy	city/highway/combined ¹	27/35/30 mpg	23/31/26 mpg
Fuel Requirement	Unleaded gasoline (87 octane)	●	●
Fuel Capacity	18.5 gallons	●	●

Chassis

Steering	Electric power-assisted quick-ratio rack-and-pinion steering (EPAS). Turning circle: 36.8 feet.	●	●
Suspension	4-wheel independent suspension. Legacy Sport: Sport-tuned. Front: Strut-type with lower L-arm. Stabilizer bar. Rear: Double-wishbone. Stabilizer bar.	●	●
Brakes	4-wheel disc, 4-channel, ventilated front and rear. 4-sensor ABS with Electronic Brake-force Distribution (EBD).	●	●
Brake Discs (front/rear)	12.4 inches/11.8 inches.	●	●
Brake Override System	If both brake and accelerator pedals are pressed simultaneously, the system reduces the operation of the accelerator pedal to help prevent unintentional vehicle acceleration.	●	●

Wheels and Tires

Wheels	Legacy and Legacy Premium: 17 x 7.5-inch aluminum-alloy. Black with machine finish.	●	—
	Legacy Sport: 18 x 7.5-inch aluminum-alloy. Gray finish.	—	●
	Legacy Limited and Legacy Touring XT: 18 x 7.5-inch aluminum-alloy. Gray with machine finish.	●	●
Tires	Legacy and Legacy Premium: 225/55 R17 97V All-season	●	—
	Legacy Sport, Legacy Limited and Legacy Touring XT: 225/50 R18 95V All-season	●	●
Spare Tire	Temporary use T155/70 D17	●	●

Some images shown are for illustration purposes only. Specifications in this brochure are based on the latest product information available at the time of publication. For the most up-to-date and detailed product information, log on to www.subaru.com. Some equipment shown in photography in this brochure is optional at extra cost. Specific options may be available only in combination with other options. Specific combinations of equipment or features may vary from time to time and by geographic area. Certain accessories and equipment may not be available at the time of publication. Subaru of America, Inc., reserves the right to change or discontinue at any time, without notice, prices, colors, materials, equipment, accessories, specifications, trims and packages without incurring any obligation to make the same or similar changes on vehicles previously sold. Colors shown may vary due to reproduction and printing processes. This brochure was prepared by Subaru of America, Inc. A warranty from Subaru of America, Inc., is available only on cars sold to the first retail purchaser through an authorized Subaru retailer in the continental U.S. or Alaska. Every owner of the car during the warranty period shall be entitled to the benefit of these warranties. Legacy, Subaru, SUBARU BOXER, SUBARU STARLINK, EyeSight, Lineartronic and STARLINK are registered trademarks of SUBARU CORPORATION. Added Security, DriverFocus, Love Promise and More Than a Car Company are registered trademarks of Subaru of America, Inc. Subaru Loves Pets is a trademark of Subaru of America. Android Auto™ is a trademark of Google, LLC. Apple CarPlay® is a registered trademark of Apple Inc. Bluetooth® is a registered trademark of Bluetooth SIG, Inc. HD Radio® is a registered trademark of iBiquity Digital Corporation. Harman Kardon® is a registered trademark of Harman International Industries, Inc. HomeLink® and the HomeLink house icon are registered trademarks of Gentex Corporation. SiriusXM,® Traffic,® and Travel Link® are registered trademarks of SiriusXM Radio, Inc. Sleepypod® is a registered trademark of LaunchLab Inc. Thule® is a registered trademark of Thule Sweden AB. For more information, contact your Subaru retailer, or log on to www.subaru.com.

2023 Legacy | Equipment

Exterior	Legacy	Legacy Premium	Legacy Limited	Legacy Sport	Legacy Touring XT
LED Steering Responsive Headlights (SRH) with High Beam Assist (HBA)	●	●	●	●	●
LED fog lights	□	□/○ ²	●	●	●
Black folding side mirrors	●	—	—	—	—
Body-color folding side mirrors with integrated turn signals	—	●	●	—	—
Automatic tilt-down passenger side mirror	—	—	●	—	●
Heated side mirrors and windshield wiper de-icer (All-Weather Package)	—	●	●	●	●
Power tilt/sliding-glass moonroof (95% UV light-reducing) ³	—	○ ²	○ ²	●	●
Trunk spoiler	□	□	□	●	□
Sport appearance upgrades: Sport front grille • Magnetite Gray Metallic mirror caps and trunk spoiler • Fender and rear Sport badges • Gray-finish aluminum-alloy wheels	—	—	—	●	—
Touring XT appearance upgrades: Automatic power-folding mirrors with satin chrome • Body-color door handles with chrome inserts • Touring XT badge	—	—	—	—	●
Seating and Trim					
6-way manually adjustable driver seat. 4-way manually adjustable front-passenger seat.	●	—	—	—	—
10-way power-adjustable driver seat with power-adjustable lumbar support. 4-way manually adjustable front-passenger seat.	—	●	—	●	—
12-way power-adjustable driver seat with 2-position memory and 4-way power-adjustable lumbar support and adjustable thigh support. 8-way power front-passenger seat.	—	—	●	—	●
Heated front seats (All-Weather Package)	—	●	—	●	—
Heated front and heated outboard rear seats	—	—	●	—	●
3-mode ventilated front seats	—	—	—	—	●
Leather-wrapped steering wheel and shifter handle	—	●	●	●	●
360-degree heated steering wheel	—	—	○ ²	●	●
Cloth upholstery	●	●	—	—	—
Two-Tone Black and Gray Cloth upholstery with red stitching	—	—	—	●	—
Leather-trimmed upholstery	—	—	●	—	—
Nappa leather-trimmed upholstery	—	—	—	—	●
60/40-split flat-folding rear seatback	●	●	●	●	●
Convenience Features					
Keyless Access with Push-Button Start	—	○ ²	●	●	●
Welcome lighting (when approaching or departing vehicle)	●	●	●	●	●
Auto-on/off wiper-linked headlights	●	●	●	●	●
Auto-dimming rearview compass mirror with HomeLink®	□	□	●	●	●
Driver and front-passenger auto-up/down power windows	●	●	●	●	●
Rear seat auto-up/down power windows	—	—	●	●	●
3-spoke steering wheel with audio system, Bluetooth®, and Advanced Adaptive Cruise Control buttons	●	●	●	●	●
4G LTE Wi-Fi capability ⁴	—	●	●	●	●
Illuminated USB-A and USB-C front input ports and rear charge ports	—	●	●	●	●
Manually adjustable tilt/telescoping steering column	●	●	●	●	●
8 cup and bottle holders	●	●	●	●	●
Overhead console with dual LED maplights and sunglasses storage	●	●	●	●	●
Audio System					
SUBARU STARLINK Dual 7.0-inch Multimedia with Apple CarPlay® and Android Auto™ integration, SiriusXM® including 4-month Platinum Plan and SiriusXM Travel Link® trial, USB-A input port, 4 speakers, AM/FM stereo, HD Radio®, Bluetooth® audio streaming and hands-free phone connectivity, and 3.5-mm auxiliary jack	●	—	—	—	—
SUBARU STARLINK 11.6-inch Multimedia Plus with wireless Apple CarPlay® and Android Auto™ integration, SiriusXM® including 4-month Platinum Plan and SiriusXM Travel Link® trial, USB-A and USB-C input ports, AM/FM stereo, HD Radio®, Bluetooth® audio streaming and hands-free phone connectivity, and 3.5-mm auxiliary jack	—	●	●	—	—

2023 Legacy | Equipment

Audio System (continued)	Legacy	Legacy Premium	Legacy Limited	Legacy Sport	Legacy Touring XT
SUBARU STARLINK 11.6-inch Multimedia Navigation System with 3 years of map updates, wireless Apple CarPlay® and Android Auto™ integration, SiriusXM® including 4-month Platinum Plan, SiriusXM Traffic® and SiriusXM Travel Link® trials, USB-A and USB-C input ports, AM/FM stereo, HD Radio®, Bluetooth® audio streaming and hands-free phone connectivity, and 3.5-mm auxiliary jack	—	○ ²	○ ²	●	●
6 speakers	—	●	—	●	—
Harman Kardon® premium audio system with a 576-watt-equivalent amplifier and 12 speakers, including center dash speaker and subwoofer	—	—	●	—	●
CD player	□	□	□	□	●
Climate Control					
Automatic climate control system with air filtration	●	—	—	—	—
Dual-zone automatic climate control system with air filtration	—	●	●	●	●
Instrumentation					
Instrument cluster with analog speedometer, tachometer, coolant temperature and fuel level gauges. LCD color screen, displaying vehicle functions.	●	●	●	●	●
Security					
Keyless entry system with answer-back electronic chirp	●	●	●	●	●
Anti-theft security system with engine immobilizer	●	●	●	●	●
Safety					
ACTIVE					
Subaru Symmetrical All-Wheel Drive (AWD)	●	●	●	●	●
EyeSight Driver Assist Technology ⁷ : Pre-Collision Braking System, Pre-Collision Throttle Management, Lane Departure and Sway Warning, Advanced Adaptive Cruise Control with Lane Centering, Automatic Emergency Steering ⁷	●	●	●	●	●
Blind-Spot Detection with Lane Change Assist and Rear Cross-Traffic Alert ⁸	—	○ ²	●	●	●
Reverse Automatic Braking (RAB) ⁹	—	—	●	●	●
DriverFocus Distraction Mitigation System (DMS) ¹⁰	—	—	○ ²	●	●
Tire Pressure Monitoring System (TPMS)	●	●	●	●	●
Rear-Vision Camera	●	●	●	●	●
180-Degree Front View Monitor	—	—	—	—	●
LED Daytime Running Lights (DRL)	●	●	●	●	●
PASSIVE					
STARLINK Safety Plus enabled ¹¹ : Advanced Automatic Collision Notification, SOS Emergency Assistance, Enhanced Roadside Assistance, Maintenance Notifications, Monthly Vehicle Health Report, Diagnostic Alerts, Remote Engine Start with Climate Control, ¹² Remote Lock/Unlock, Concierge Services and more	—	●	●	●	●
Subaru advanced frontal airbag system with driver and front-passenger front airbags (SRS) ¹³	●	●	●	●	●
Driver knee airbag and front-passenger seat cushion airbag (SRS) ¹³	●	●	●	●	●
Side-curtain airbags with rollover sensor protecting front and rear outboard occupants. Seat-mounted front side-impact airbags (SRS). ¹³	●	●	●	●	●
Whiplash-reducing front seats with height-adjustable head restraints	●	●	●	●	●
Height-adjustable 3-point front seatbelts with double pretensioners and adaptive load limiters	●	●	●	●	●
3-point seatbelts at all rear seating positions	●	●	●	●	●
Front/rear passenger seatbelt warning light/chime, rear-seat reminder and child-safety rear door locks	●	●	●	●	●
LATCH system: Lower Anchors and Tethers for Children	●	●	●	●	●
Optional Equipment					
LED fog lights • Keyless Access with Push-Button Start • Blind-Spot Detection with Lane Change Assist and Rear Cross-Traffic Alert ⁸ • Automatic Emergency Steering ⁷	—	○	—	—	—
LED fog lights • Keyless Access with Push-Button Start • Blind-Spot Detection with Lane Change Assist and Rear Cross-Traffic Alert ⁸ • Automatic Emergency Steering ⁷ • Power moonroof • SUBARU STARLINK 11.6-inch Multimedia Navigation System	—	○	—	—	—
DriverFocus Distraction Mitigation System (DMS) ¹⁰ • Power moonroof • 360-degree heated steering wheel • SUBARU STARLINK 11.6-inch Multimedia Navigation System	—	—	○	—	—

● Standard ○ Optional — Not equipped □ Available retailer-installed accessory

Legacy | Accessories



Door Edge Guard. Help protect your door edges from dings and chips with custom-fit, body color-matched Door Edge Guards. They help preserve the appearance of your Subaru while seamlessly blending into the door design.



Interior Trim – Woodgrain. Upgrade your interior design with a woodgrain accent for your dash. Elevate the style of your Legacy interior with the refined appearance and high-end feel of a woodgrain accent for your dash.



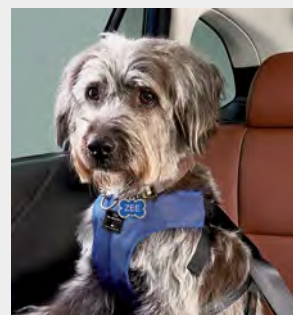
Door Scuff Protector. A durable, easy-to-clean plastic shell that protects your doors from common shoe scuffs and other scrapes when entering and exiting your vehicle. The unique texture complements the design of the Legacy. Comes in a set of four.



Footwell Illumination Kit. Light the dark corners of the front floor area while enhancing interior ambiance. Easy-to-install LED lights provide a soft white glow that brightens and dims in conjunction with the vehicle's other interior lighting.



Introducing Genuine Subaru Pet-friendly Accessories.



Pet Harness. Keep your dog safe with this crash-tested Pet Harness, certified by the Center for Pet Safety for dogs from 18 to 90 pounds. Manufactured by Sleepypod® in signature Subaru blue, the Pet Harness can also be used for walking your dog. Available in S, M, L or XL.



Seat Cover – Rear. Keep your back seat tidy with this water-resistant seat cover. Machine-washable and LATCH accessible, the rear seat cover is easy to install and tailored to fit snugly. A polyester front and polyurethane-coated back help provide full protection for the seat and headrests—perfect for pets, kids and life on the go.



License Plate Frame – Pet Lover. Share your love for your furry, scaly or feathered friends with our Pet Lover license plate frame. Available in either matte black or polished stainless steel.



Pet Carrier and Mobile Pet Bed. This multi-functional ultra-plush pet bed also doubles as a carrier to safely transport your pet in comfort. Manufactured by Sleepypod®, this accessory is crash-tested and certified by the Center for Pet Safety.



Pet-friendly Padded Seat Protector. Protect your back seat from muddy paws and pet hair with a heavy-duty, water-resistant seat protector. Designed without buckles or straps, this accessory is easy to install, plus it's machine-washable and LATCH-accessible.

60/40 seat functionality compromised when in use.



Console Lid Protector. Protects the center console lid surface from nail scratches and puncture holes, while providing a comfortable armrest for front-seat passengers.



Pet Travel Bowl. This portable container makes it easy to bring your pet's food and water on the go. Manufactured by Sleepypod®, the Pet Travel Bowl includes a base compartment for ice to help keep your pet's water cool and wet food fresh.



Cargo Tray. Helps protect the trunk area from stains and dirt, while providing a surface that helps reduce the shifting of cargo while driving.



Auto-Dimming Exterior Mirrors with Approach Light. Designed to enhance nighttime driving safety by reducing headlight glare. When you approach the vehicle or unlock the doors with the keyless entry system, LED lights in each exterior mirror illuminate the ground next to, and towards the rear of, the vehicle. During nighttime driving, the Auto-Dimming Exterior Mirrors dim in unison with the Auto-Dimming (Interior) Mirror when glare is detected.

Requires Auto-Dimming (Interior) Mirror.



Crossbar Set – Fixed. Increase your Legacy's cargo-carrying capabilities by adding a crossbar set. These fixed-style crossbars can be installed or removed in minutes. May be used in conjunction with Genuine Subaru roof attachments and carriers. Total roof load weight limit of 88 lbs.



Body Side Molding. Color-matched molding helps protect vehicle doors from parking lot dings while attractively blending with the lines of the car.



Cargo Net. Neatly holds cargo upright and helps prevent it from sliding while the vehicle is in motion.



Auto-Dimming Mirror with Compass and HomeLink®. This upgraded Auto-Dimming Mirror detects glare and darkens automatically to protect your vision while featuring an 8-point digital compass. Three backlit HomeLink® buttons can be programmed to operate most garage doors, security gates, home lighting and more. Can also provide you with the last status of your garage door (open or closed) if programmed to a compatible opener featuring two-way communication.



Rear Seatback Protector. Provides additional protection to the rear seatback when lowering the seats to transport larger cargo. Use in conjunction with the Cargo Tray.



All-Weather Floor Liners. Custom-fitted, high wall design floor liners help protect carpet from accidental spills, snow, sand, mud, dirt and moisture. All-Weather Floor Liners are precision-engineered to ensure a precise fit and withstand a series of functional and durability evaluations to help ensure the liners will not warp, fade or tear. Not intended for use on top of Carpeted Floor Mats.

For a complete list of available accessories, visit your local Subaru retailer or visit www.subaru.com



A new view on what you can carry.

Subaru owners like to spend as much time outside as they can—within city limits and beyond. Genuine Subaru active lifestyle accessory attachments manufactured by Thule® are a smart way to securely transport gear with your Legacy, so you can go biking, paddleboarding, skiing and snowboarding while still enjoying the maneuverability of a mid-sized car. A variety of carriers are available, so you can indulge your passion, whatever it might be.



Thule® Paddleboard Carrier



Thule® Ski and Snowboard Carrier



Thule® Cargo Carrier

2023 Legacy | Owner Benefits

Protecting Your Investment

Once you're part of our family, we'll be there for you. Every Subaru comes with 24-hour roadside assistance for 3 years or 36,000 miles. If you have trouble on the road, a tow to the nearest Subaru retailer and other services are just a phone call away. And to protect you over the long haul, we offer Added Security (ask for it by name). It includes extended service agreements and maintenance plans to help protect your car for up to 10 years or 100,000 miles. They're the only mechanical and maintenance plans backed by Subaru, and because we've been backing them for more than 30 years, they're agreements you can trust. Your retailer has full coverage details.



More Than a Car Company®



Love means being more than a car company. The **Subaru Love Promise®** is our vision to show love and respect to all people at every interaction with Subaru. Together with our retailers, we are dedicated to making the world a better place.

Warranties

New Car Limited Warranty 3 years or 36,000 miles, whichever comes first.

Powertrain Limited Warranty 5 years or 60,000 miles, whichever comes first.

Wear Item Limited Warranty 3 years or 36,000 miles, whichever comes first. Repairs to the following items will also be covered under Wear Item Limited Warranty:

- Brake Pads
- Wiper Blades
- Clutch Linings
- Transmitter Batteries

Rust Perforation Limited Warranty 5 years, unlimited mileage.

24-hour Roadside Assistance 3 years or 36,000 miles, whichever comes first.

1 2023 EPA fuel economy estimates. Actual mileage may vary. 2 Available only with other features. See Optional Equipment listing. 3 The glass information listed represents calculated reference values and may not represent actual values determined by testing. 4 Internet access is purchased separately through AT&T with monthly, per gigabyte, and unlimited data options available. Existing AT&T customers have the option to add a line to their AT&T Mobile Share plan. 5 Activation and required monthly subscription sold separately. Includes 4-month trial subscription. See your retailer for details. 6 Activation and required subscription sold separately. Includes 3-year trial subscription. See your retailer for details. 7 EyeSight is a driver assist technology, which may not operate optimally under all driving conditions. The driver is always responsible for safe and attentive driving. System effectiveness depends on many factors such as vehicle maintenance, weather and road conditions. Advanced Adaptive Cruise Control, Brake Light Recognition and Automatic Emergency Steering are designed to assist the driver and are not substitutes for safe and attentive driving. Automatic Emergency Steering availability varies by trim level and works in conjunction with and after Pre-Collision Braking has been activated by providing steering support at speeds lower than 50 mph to try and help avoid a collision. Lane Keep Assist operates only when the lane markings are visible, and system effectiveness depends on many factors. Lane centering function operates only when used in conjunction with Advanced Adaptive Cruise Control. See Owner's Manual for complete details on system operations and limitations. 8 Blind-Spot Detection, Lane Change Assist and Rear Cross-Traffic Alert are systems designed to assist the driver by monitoring the rear and side areas of the vehicle during a lane change or reversing and are not a substitute for safe and attentive driving. 9 The Reverse Automatic Braking System is not a substitute for safe and attentive driving. System effectiveness depends on many factors, such as vehicle maintenance, weather and road conditions. Always exercise caution and use vehicle mirrors and the Rear-Vision Camera when backing up. See Owner's Manual for complete details on system operation and limitations. 10 The DriverFocus Distraction Mitigation System is a driver recognition technology designed to alert drivers if their attention to the road wavers or if the driver's face appears to turn away. The driver is always responsible for safe and attentive driving. System effectiveness may be affected by articles of clothing worn on the head or face. See Owner's Manual for complete details on system operation and limitations. 11 Activation with subscription required. Includes a 3-year trial subscription to STARLINK Safety Plus services and a 6-month trial subscription to STARLINK Safety and Security Plus services. The Concierge plan can be purchased annually or monthly. A credit card on file will be required for specific packages and for renewal purposes. Not available in all states. See your retailer for details. 12 Requires Keyless Access with Push-Button Start. See your retailer for details. 13 The Supplemental Restraint System (SRS) (airbags) affords the driver and the front passenger additional protection in moderate to severe frontal and side-impact collisions and outboard 2nd-row passengers additional protection in moderate to severe side-impact collisions. This system provides supplemental protection only, and seatbelts must be worn in order to avoid injuries to out-of-position occupants upon airbag deployment and to provide the best combined protection in a serious accident. Children should always be properly restrained in one of the rear seats. See Owner's Manual for recommended seating position. 14 Based on Experian Automotive vehicles in operation vs. total new registrations for MY2012-2021 as of December 2021.

For additional Subaru resources, including owner's manuals, maintenance schedules, roadside assistance and more, log on to www.mysubaru.com

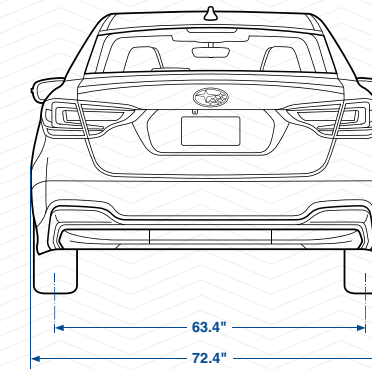
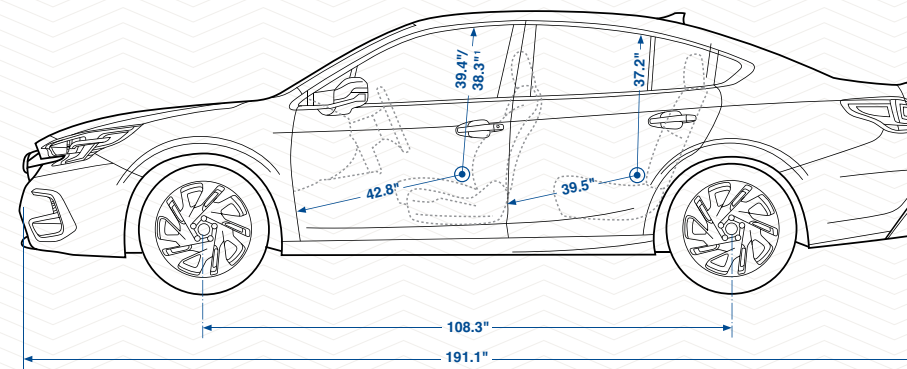
Responsible. Reliable. Ready to join the family.

At Subaru, we're committed to building a lasting, rewarding relationship with you and the world we share. We start by building our vehicles to last—it's why 95% of Subaru Legacy vehicles sold in the last 10 years are still on the road today.¹⁴ We also share your desire for a cleaner, greener world. In 2004, Subaru of Indiana Automotive, Inc. (SIA) became the first manufacturing facility in the U.S. to reach zero-landfill status—nothing from its manufacturing efforts ever goes into a landfill. Subaru is headquartered in a zero-landfill office in Camden, N.J.

000475 038000 102000 157000 248000

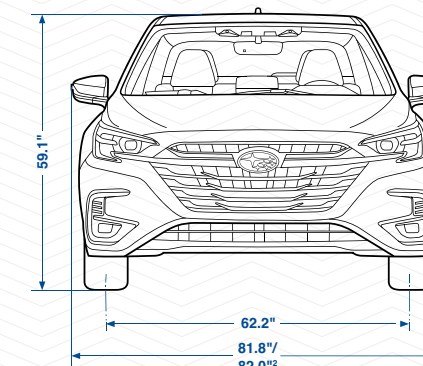
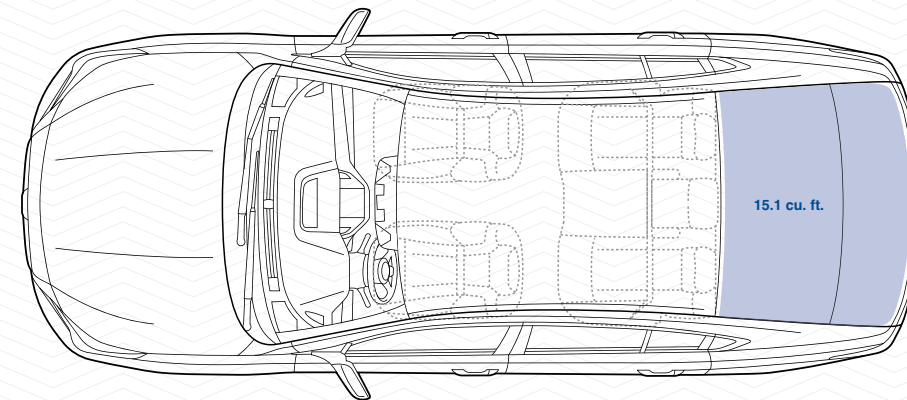


2023 Legacy | Dimensions



Length/Width/Height 191.1 inches/72.4 inches (81.8/82.0² including mirrors)/59.1 inches
Wheelbase 108.3 inches
Track (front/rear) 62.2 inches/63.4 inches
Base curb weight Legacy: 3,491 lbs.
 Premium: 3,508 lbs.
 Limited: 3,585 lbs.
 Sport: 3,737 lbs.
 Touring XT: 3,787 lbs.

21 | 2023 Legacy

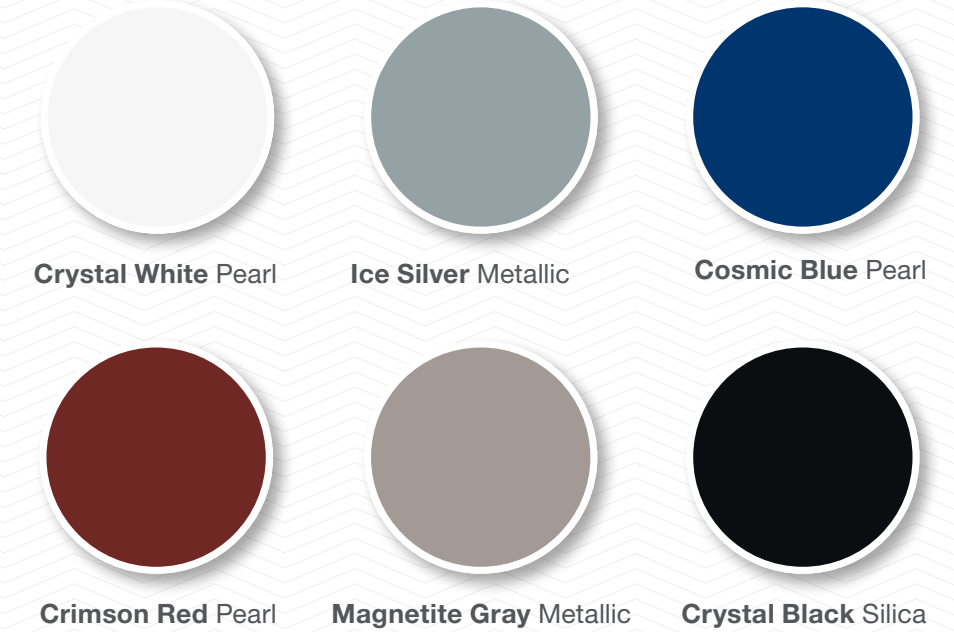


Headroom (front/rear) 39.4 inches/37.2 inches (with available moonroof: 38.3 inches/37.2 inches)
Legroom (front/rear) 42.8 inches/39.5 inches
Shoulder room (front/rear) 58.1 inches/57.4 inches
Hip room (front/rear) 55.5 inches/54.8 inches
Passenger volume 105.5 cubic feet (with available moonroof: 104.0 cubic feet)
Trunk volume 15.1 cubic feet

1 With available moonroof. Moonroof availability varies by trim level.
 2 With integrated turn signals.

2023 Legacy | Colors

Paint



Upholstery



Color Combinations

	Legacy	Legacy Premium	Legacy Limited	Legacy Sport	Legacy Touring XT
Crystal White Pearl	SBC	SBC or TGC	SBL or WIL	TSC	JNL or SNL
Ice Silver Metallic	SBC	SBC or TGC	SBL or TGL	TSC	SNL
Cosmic Blue Pearl	SBC	SBC or TGC	SBL or TGL	TSC	JNL or SNL
Crimson Red Pearl	—	SBC	SBL or WIL	—	SNL
Magnetite Gray Metallic	SBC	SBC or TGC	SBL or TGL	TSC	JNL or SNL
Crystal Black Silica	SBC	SBC or TGC	SBL or WIL	TSC	JNL or SNL

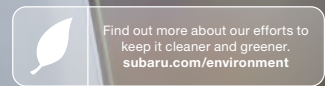
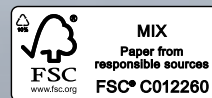
— Not available



These brochures were printed with vegetable-based inks and produced using a "Green Printing Process." The Forest Stewardship Council® (FSC®) is an international organization that brings people together to find solutions which promote responsible stewardship of the world's forests and environments.

By producing these brochures in a green way rather than by traditional methods, we saved 23 trees preserved for the future; 5,000 gallons of wastewater flow saved; 100 lbs solid waste not generated; 15,000 lbs net greenhouse gases prevented; 10,000,000 BTUs energy not consumed. Calculations provided by Environmental Paper Network. FSC® is not responsible for any calculations on saving resources by choosing this paper.

This brochure is printed in the U.S.A. on 10% recycled paper. © 2022 Subaru of America, Inc. 23.LEGSRB.525 (DSGN-P292, 40K, 7/22, KSL)



Love. It's what makes Subaru, Subaru.

